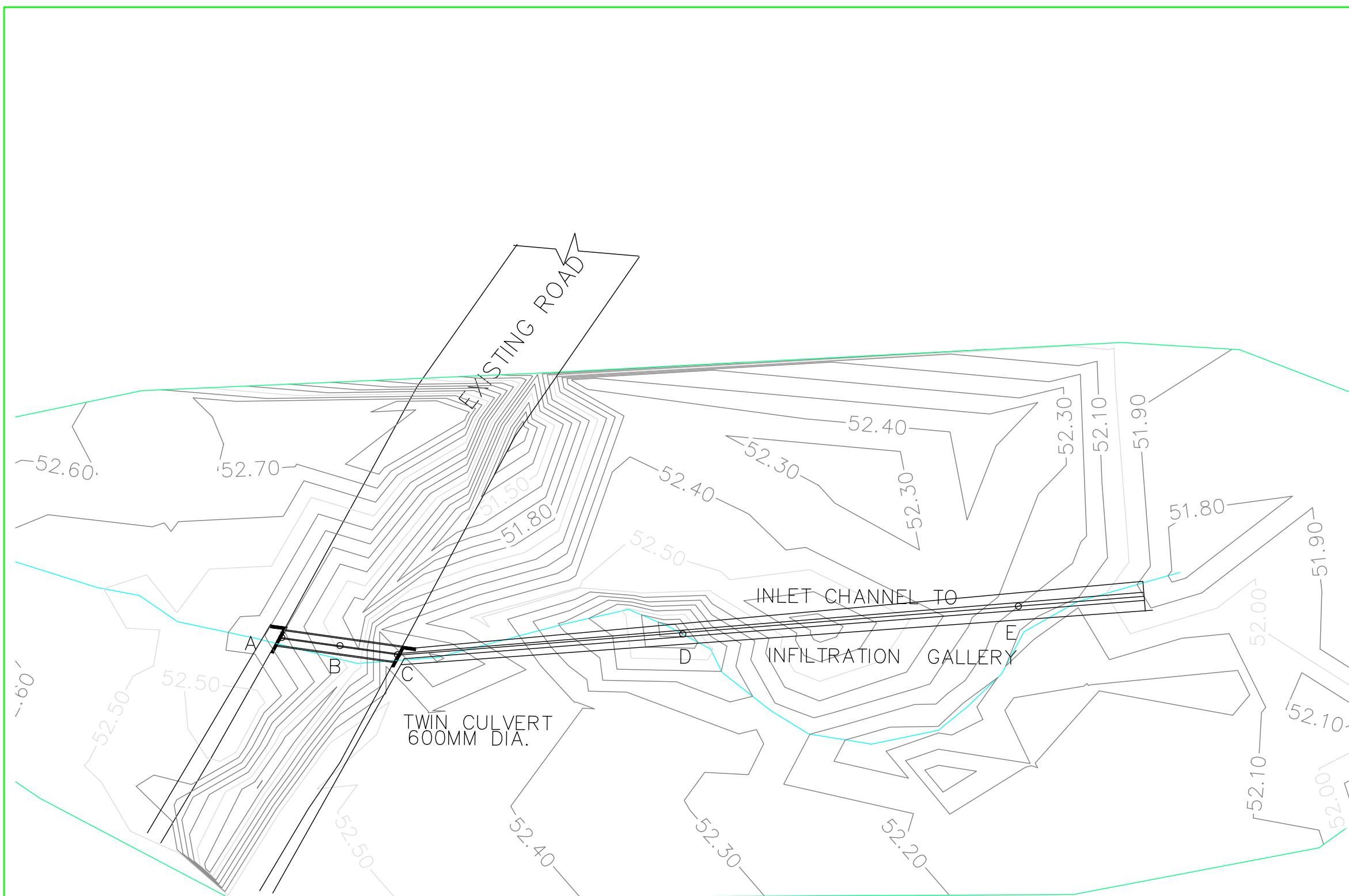


BOOK OF DRAWINGS FOR THE PROPOSED HAROREZA INFILTRATION GALLERY TANA RIVER COUNTY




INTERNATIONAL COMMITTEE
FOR DEVELOPMENT OF PEOPLE
NAIROBI OFFICE # 117
MANYANI EAST ROAD, OFF
JAMES GICHURU, LAVINGTON,
NAIROBI , KENYA
Email: kenya@cisp-ngo.org






- NOTES:**
1. All Levels are in metres based on National Datum
 2. All dimensions are in meters unless otherwise specified.

LEGEND: -

 NORTH

 SURVEY BENCHMARK

Setting out Data

Point	X	Y
A	597337.227	9813146.750
B	597347.660	9813145.264
C	597358.193	9813143.591
D	597409.851	9813147.395
E	597470.629	9813152.524

NOV	REVISIONS	BY	DATE	APPROVED
4		CHECKED		
3		BY		
2		CHECKED		
1		BY		

PROJECT: WASH-COMMUNITY RESILIENCE BUILDING IN LIVELIHOOD & DISASTER RISK MANAGEMENT (REBUILD) IN TANA-RIVER COUNTY

CISP
 COMITATO INTERNAZIONALE PER LO SVILUPPO DEI POPOLI
 INTERNATIONAL COMMITTEE FOR DEVELOPMENT OF PEOPLE
 NAIROBI OFFICE # 117
 MANYANI EAST ROAD, OFF JAMES GICHURU, LAVINGTON, NAIROBI, KENYA
 Email: kenya@cisp-ngo.org

CONSULTANT:
 INDIVIDUALCONSULTANT
 ENG. JMR
 P.O BOX 72398-0200
 Nairobi, KENYA
 Telephone: +254 - 722617042 Email: ramesso@yahoo.com

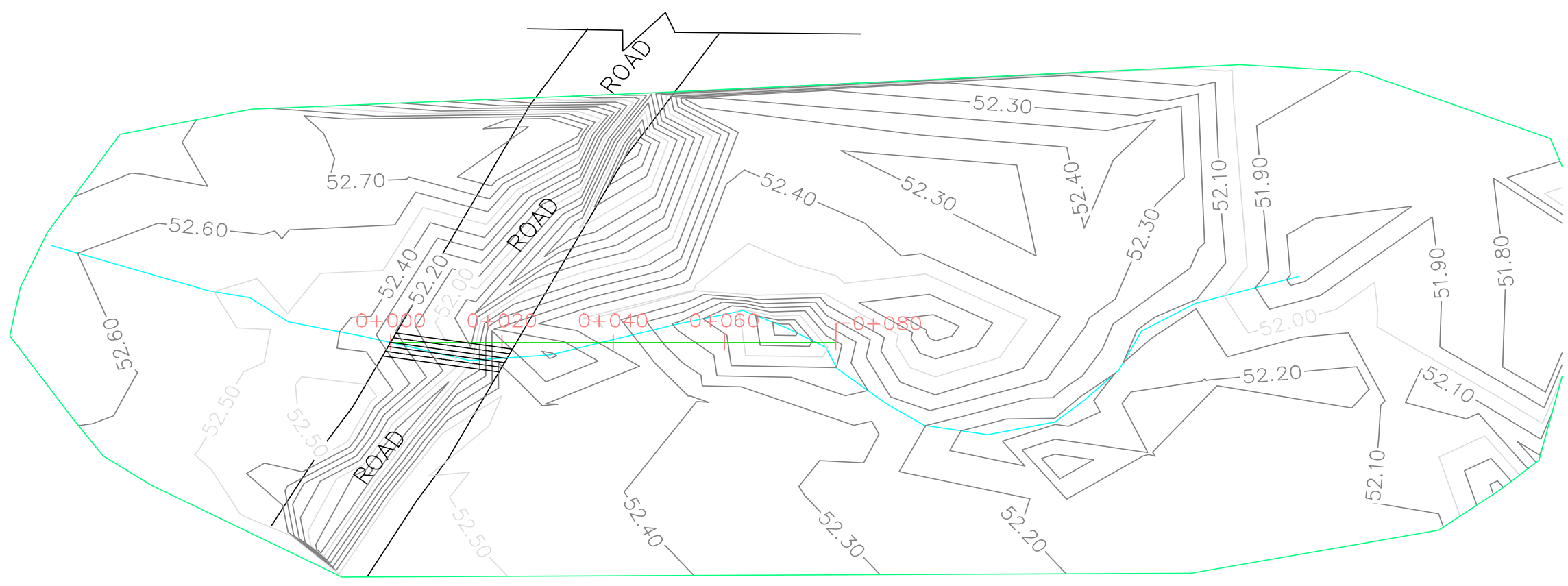
Drawing Title:
Culvert Layout & Storm Drain

Scale: 1:200 Date: JUNE 2022

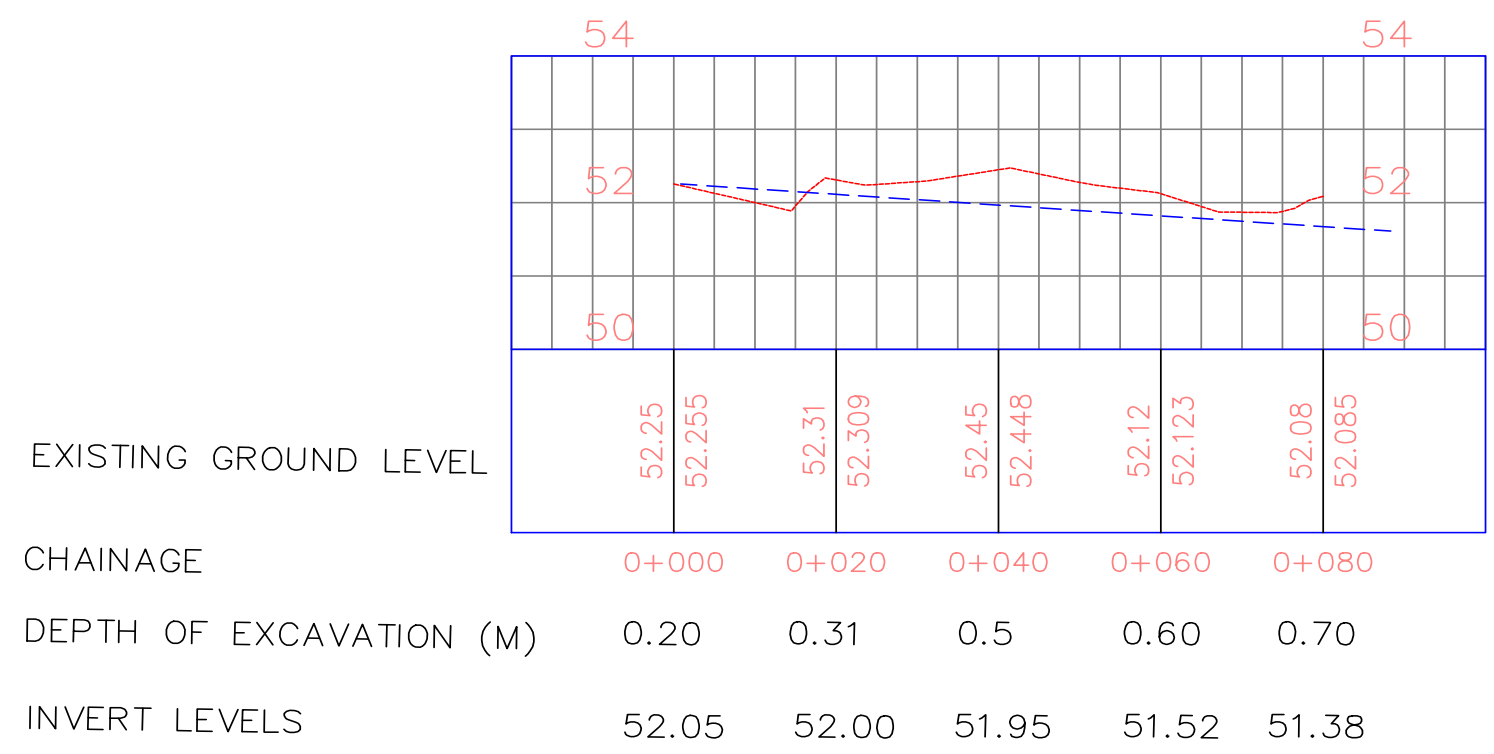
NOTES:

1. All Levels are in metres based on National Datum
2. All dimensions are in meters unless otherwise specified.

LEGEND: -



Alignment – HARORESA PROFILE



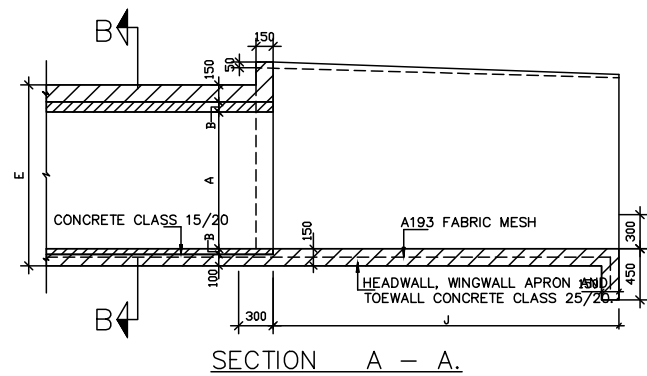
NO.	REVISIONS	BY	DATE	APPROVED
4	CHECKED			
3	CHECKED			
2	CHECKED			
1	CHECKED			

PROJECT: WASH-COMMUNITY RESILIENCE BUILDING IN LIVELIHOOD & DISASTER RISK MANAGEMENT (REBUILD) IN TANA-RIVER COUNTY

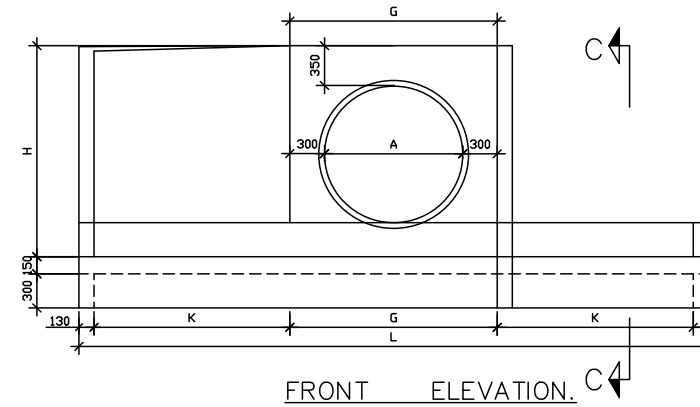
CISP
 COMITATO INTERNAZIONALE PER LO SVILUPPO DEI POPOLI
 INTERNATIONAL COMMITTEE FOR DEVELOPMENT OF PEOPLE
 NAIROBI OFFICE # 117
 MANYANI EAST ROAD, OFF JAMES GICHURU, LAVINGTON, NAIROBI, KENYA
 Email: kenya@cisp.ngo.org

CONSULTANT:
 INDIVIDUALCONSULTANT
 ENG. JMR
 P.O BOX 72398-0200
 Nairobi, KENYA
 Telephone: +254 - 722617042 Email: ramesso@yahoo.com

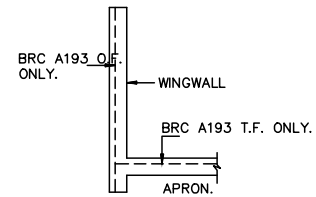
Drawing Title:
Storm Drain Invert Levels



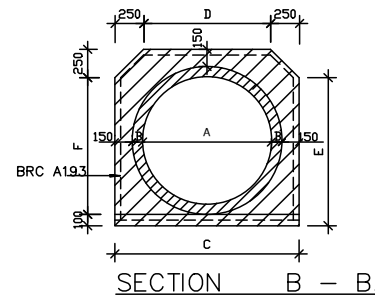
SECTION A - A.



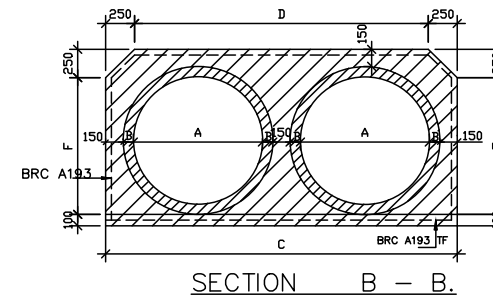
FRONT ELEVATION.



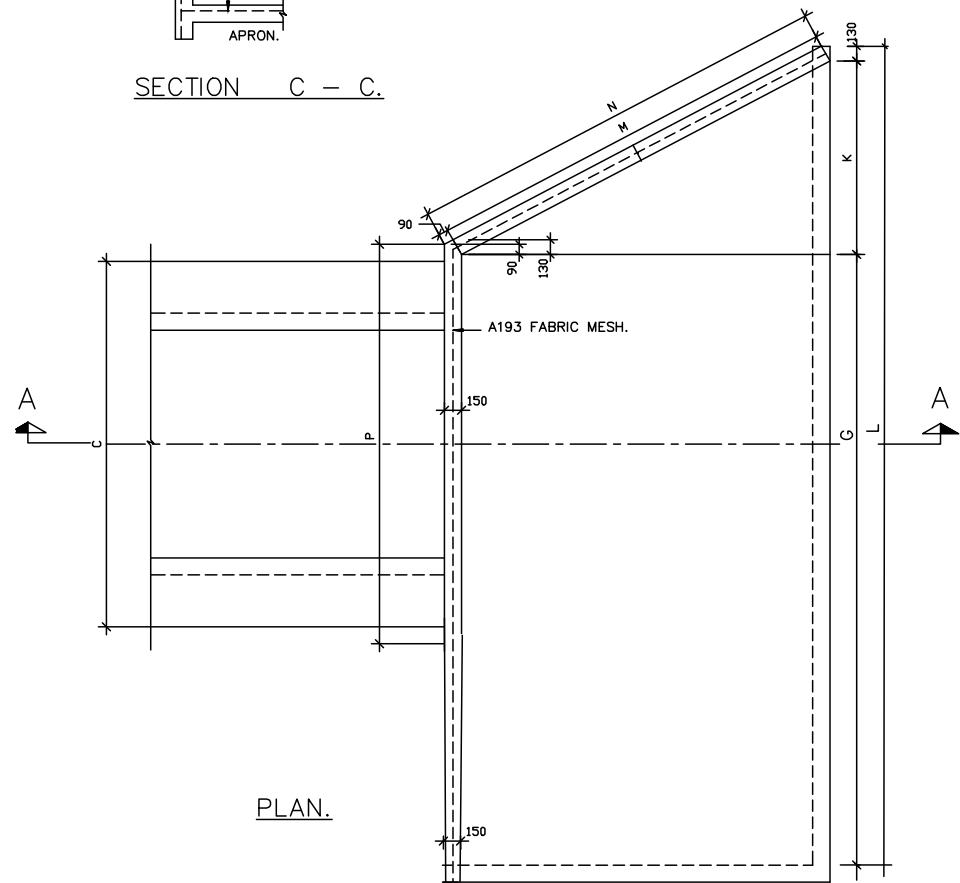
SECTION C - C.



SECTION B - B.



SECTION B - B.



PLAN.

CULVERT	A m	B m	C m	D m	E m	F m	G m	H m	J m	K m	L m	M m	N m	P m	CONCRETE CLASS 25 INLET AND OUTLET.	CONCRETE CLASS 15 SURROUNDING & BEAM PER RUNNING METRE.	A193 FABRIC MESH REIN- FORCEMENT m ²
1x0.60m. D/A	0.60	0.05	1.00	0.50	0.95	0.60	1.20	0.95	1.70	1.00	3.46	1.97	2.06	1.38	2.70	0.51	17.82
1x0.90m. D/A	0.90	0.07	1.34	0.84	1.29	0.94	1.50	1.25	2.30	1.30	4.36	2.64	2.73	1.68	4.24	0.82	28.04
1x1.20m. D/A	1.20	0.09	1.68	1.18	1.73	1.33	1.80	1.60	3.00	1.70	5.46	3.45	3.54	1.98	7.72	1.35	43.00
2x1.20m. D/A	2x1.20	0.09	3.21	2.71	1.73	1.33	3.33	1.60	3.00	1.70	6.99	3.45	3.54	3.51	10.18	2.49	55.92

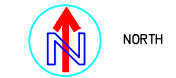
NOTES.

- A193 Fabric mesh reinforcement to B.S. 4483 to be placed as shown.
- Level and slope of the pipe shall be as instructed by the Engineer on site.
- All dimensions are in metres unless otherwise stated.
- Min. concrete surround for 1.2m pipe will be 200mm and for slab 150mm and not 150mm and 100mm as shown in section B-B.
- 600mm culverts to be used only at intersections with township roads and minor accesses.
- Cover to BRC mesh to be 40mm.
- PCC pipes to be manufactured in compliance with section 17 of standard specification for the road and bridge construction - 1986.
- All excavations for foundation to be approved by the Engineer on site before commencement of concrete work for each foundation.
- All Dimensions in mm.

NOTES:

- All Levels are in metres based on National Datum
- All dimensions are in meters unless otherwise specified.

LEGEND: -



NORTH



SURVEY BENCHMARK

REV	REVISIONS	BY	CHECKED	DATE	APPROVED
4					
3					
2					
1					

PROJECT: WASH-COMMUNITY RESILIENCE BUILDING IN LIVELIHOOD & DISASTER RISK MANAGEMENT (REBUILD) IN TANA-RIVER COUNTY



INTERNATIONAL COMMITTEE FOR DEVELOPMENT OF PEOPLE
NAIROBI OFFICE # 117
MANYANI EAST ROAD, OFF
JAMES GICHURU, LAVINGTON,
NAIROBI, KENYA
Email: kenya@cisp-ngo.org

CONSULTANT:

INDIVIDUALCONSULTANT
ENG. JMR
P.O BOX 72398-0200
Nairobi, KENYA
Telephone: +254 - 722617042 Email:
ramesso@yahoo.com

Drawing Title:

Culvert Details

Scale: 1:200

Date: JUNE 2022

DWG NO: Haroresa 03

4/8